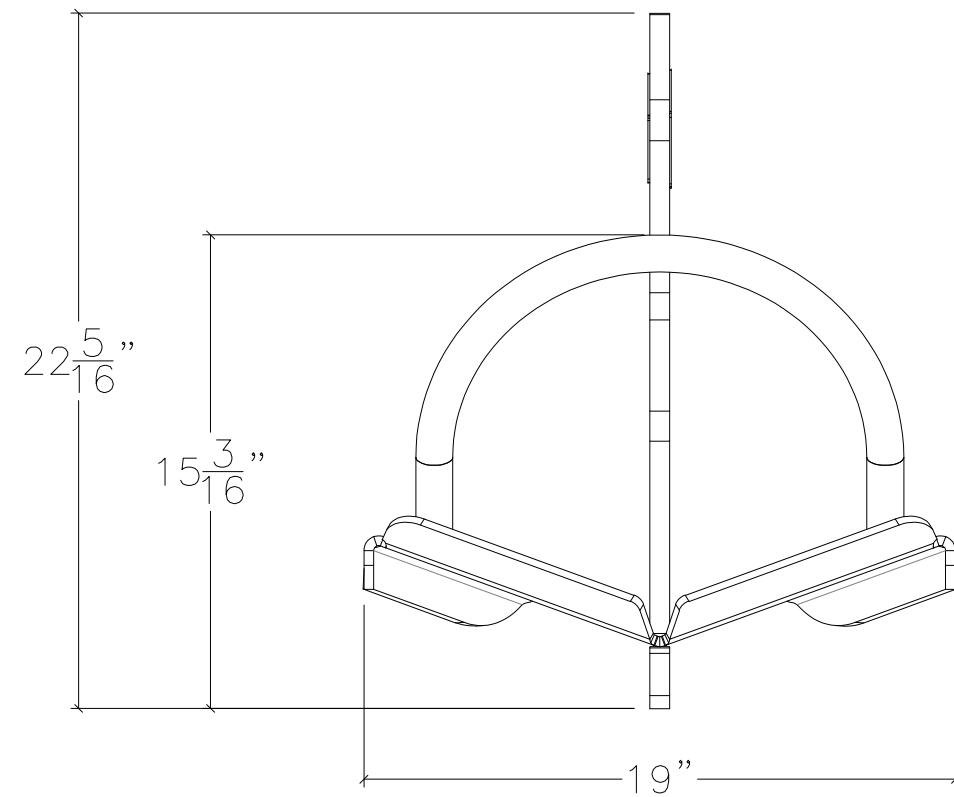
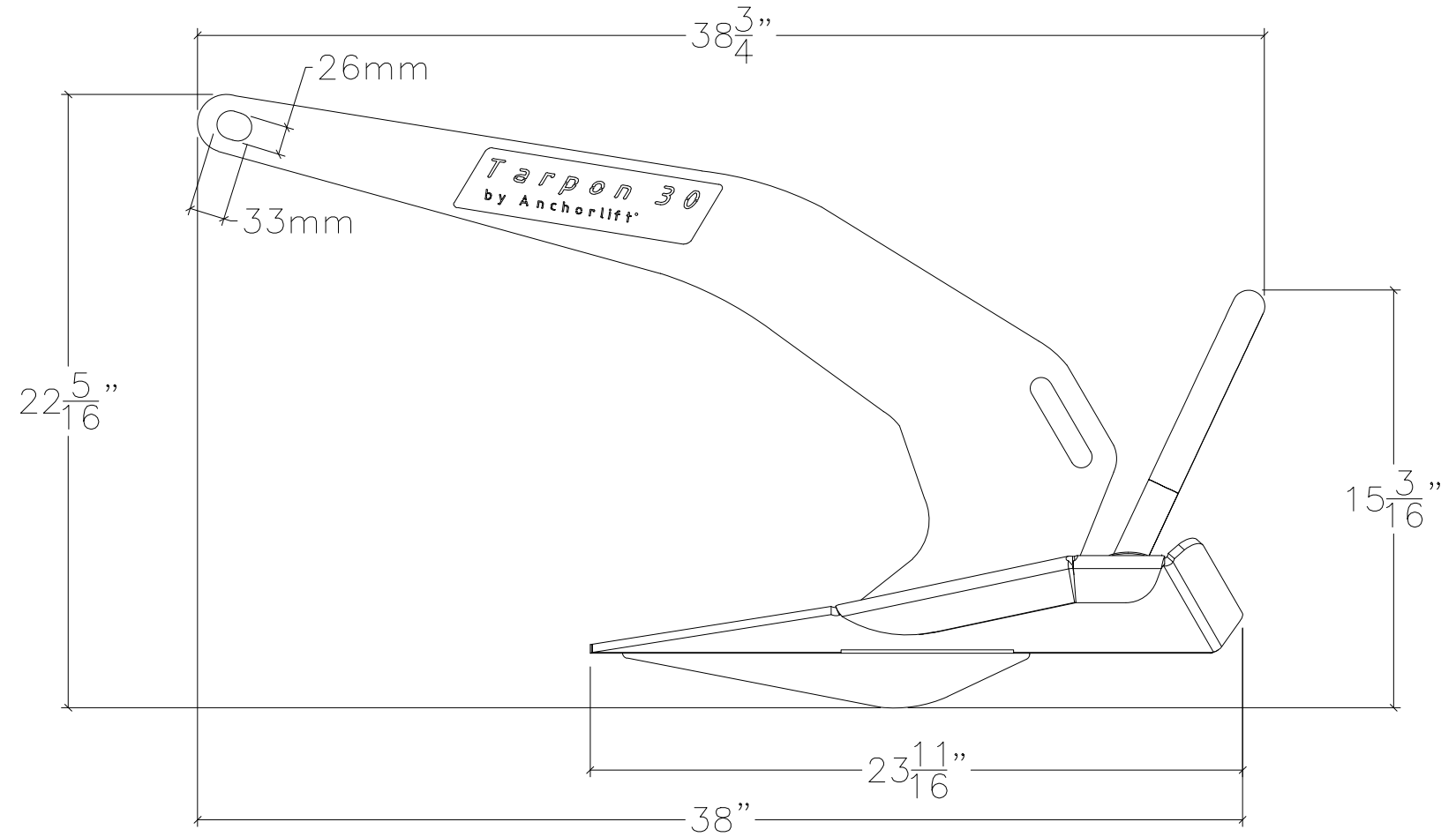


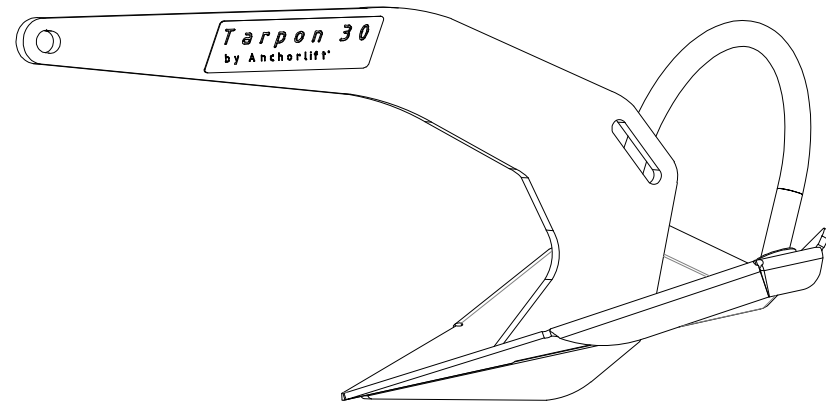
TPX30RB ANCHOR



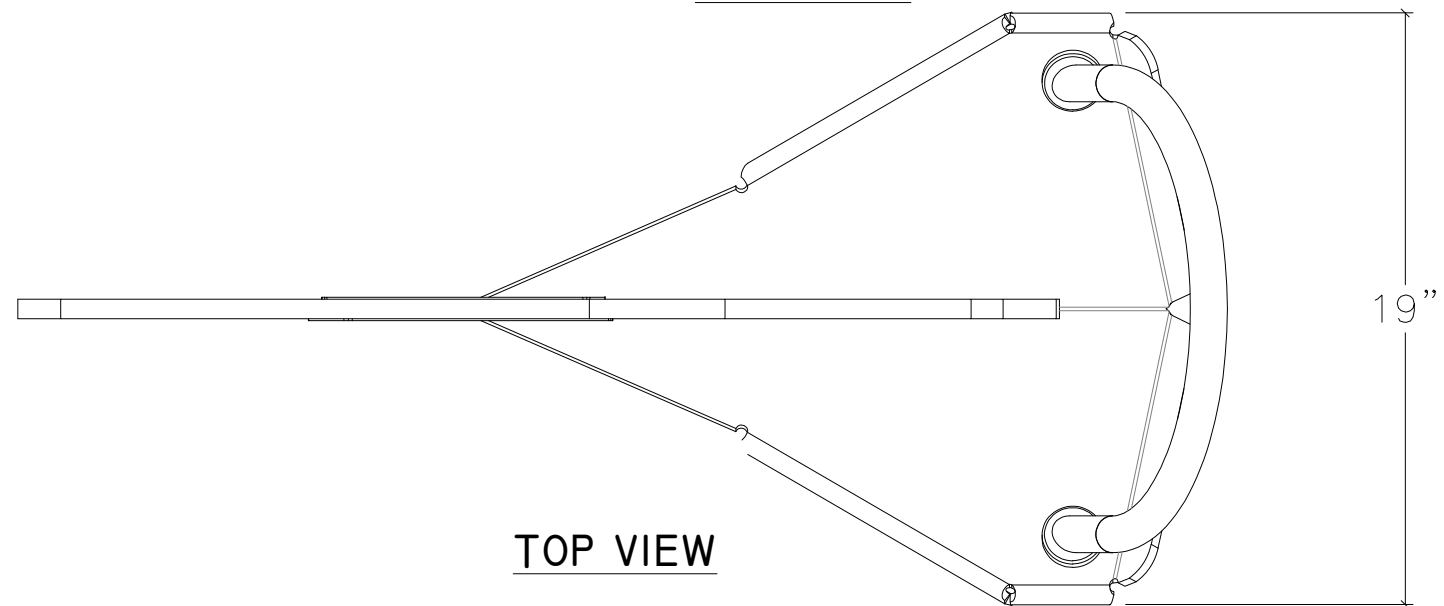
FRONT VIEW



SIDE VIEW



3-D VIEW



TOP VIEW

NOTE: ALL DIMENSIONS ARE IN INCHES



SIZE B	TPX30RB ANCHOR	DRAWN BY: JDN	SCALE: N.T.S.	DWG DATE 1/11/2021
	ADDRESS			
PROJECT MANAGER:		SHEET 1 OF 1		